

# Product datasheet

Specifications



## soft starter for asynchronous motor - ATS48 - 233 A - 230..415 V - 55..220 KW

ATS48C25Q

! Discontinued on: 07 August 2023

! To be end-of-service on: 31 December 2030

! Discontinued - Service only

### Main

Range of product	Altistart 48
Product or component type	Soft starter
Product destination	Asynchronous motors
Product specific application	Heavy duty industry and pumps
Device short name	ATS48
Utilisation category	AC-53A
Ue power supply voltage	230...415 V - 15...10 %
Power supply frequency	50...60 Hz - 5...5 %
Motor power kW	55 kW at 230 V connection in the motor supply line for severe applications 75 kW at 230 V connection in the motor supply line for standard applications 110 kW at 230 V connection to the motor delta terminals for severe applications 110 kW at 400 V connection in the motor supply line for severe applications 132 kW at 230 V connection to the motor delta terminals for standard applications 132 kW at 400 V connection in the motor supply line for standard applications 160 kW at 400 V connection to the motor delta terminals for severe applications 220 kW at 400 V connection to the motor delta terminals for standard applications

### Complementary

Device connection	To the motor delta terminals In the motor supply line
Protection type	Phase failure: line Thermal protection: motor Thermal protection: starter
Standards	EN/IEC 60947-4-2
Product certifications	C-Tick CCC UL NOM 117 CSA DNV SEPRO GOST TCF
Marking	CE
Discrete input number	5
Discrete input type	PTC, 750 Ohm at 25 °C (Stop, Run, LI3, LI4) logic, <= 8 mA 4300 Ohm
Discrete input logic	Positive logic Stop, Run, LI3, LI4 at State 0: < 5 V and <= 2 mA at State 1: > 11 V, >= 5 mA

<b>Minimum switching current</b>	10 mA at 6 V DC for relay outputs
<b>Discrete output number</b>	2
<b>Discrete output type</b>	(LO1) logic output 0 V common configurable (LO2) logic output 0 V common configurable (R1) relay outputs fault relay NO (R2) relay outputs end of starting relay NO (R3) relay outputs motor powered NO
<b>Analogue output type</b>	Current output AO: 0-20 mA or 4-20 mA, impedance <500 Ohm
<b>Communication port protocol</b>	Modbus
<b>Connector type</b>	1 RJ45
<b>Communication data link</b>	Serial
<b>Physical interface</b>	RS485 multidrop
<b>Transmission rate</b>	4800, 9600 or 19200 bps
<b>Function available</b>	External bypass (optional)
<b>Operating position</b>	Vertical +/- 10 degree
<b>Height</b>	380 mm
<b>Width</b>	320 mm
<b>Depth</b>	265 mm
<b>Net weight</b>	18.2 kg

## Environment

<b>Electromagnetic compatibility</b>	Conducted and radiated emissions level A conforming to IEC 60947-4-2 Damped oscillating waves level 3 conforming to IEC 61000-4-12 Electrostatic discharge level 3 conforming to IEC 61000-4-2 Immunity to electrical transients level 4 conforming to IEC 61000-4-4 Immunity to radiated radio-electrical interference level 3 conforming to IEC 61000-4-3 Voltage/current impulse level 3 conforming to IEC 61000-4-5
<b>Relative humidity</b>	0...95 % without condensation or dripping water conforming to EN/IEC 60068-2-3
<b>Ambient air temperature for operation</b>	40...60 °C (with current derating of 2 % per °C) -10...40 °C (without derating)
<b>Ambient air temperature for storage</b>	-25...70 °C
<b>Operating altitude</b>	<= 1000 m without derating > 1000...2000 m with current derating of 2.2 % per additional 100 m

## Packing Units

<b>Unit Type of Package 1</b>	PCE
<b>Number of Units in Package 1</b>	1
<b>Package 1 Height</b>	42.000 cm
<b>Package 1 Width</b>	46.000 cm
<b>Package 1 Length</b>	51.500 cm
<b>Package 1 Weight</b>	21.636 kg

## Offer Sustainability

<b>Sustainable offer status</b>	Green Premium product
<b>REACH Regulation</b>	<a href="#">REACH Declaration</a>
<b>EU RoHS Directive</b>	Pro-active compliance (Product out of EU RoHS legal scope) <a href="#">EU RoHS Declaration</a>
<b>Mercury free</b>	Yes
<b>China RoHS Regulation</b>	<a href="#">China RoHS declaration</a>

---

<b>RoHS exemption information</b>	<a href="#">Yes</a>
<b>Circularity Profile</b>	<a href="#">End of Life Information</a>
<b>WEEE</b>	The product must be disposed on European Union markets following specific waste collection and never end up in rubbish bins

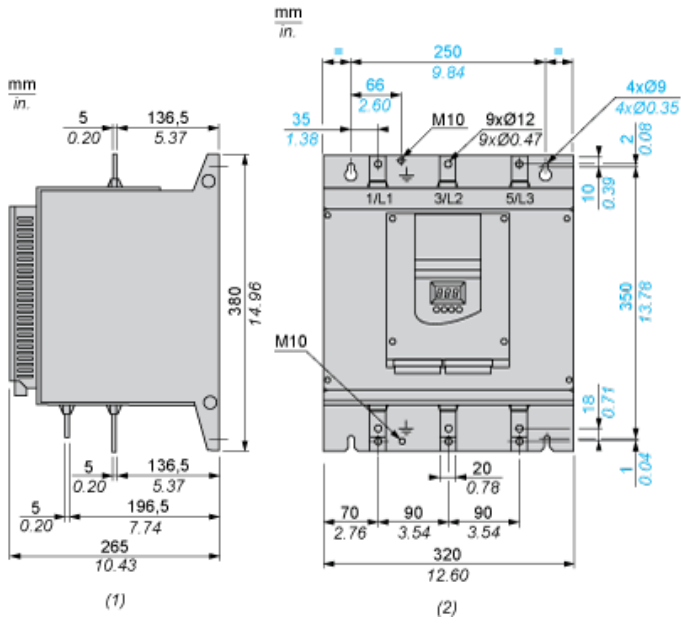
---

## **Contractual warranty**

---

<b>Warranty</b>	12 months
-----------------	-----------

Dimensions



(1) Right View  
(2) Front View

**Clearance**

---



**Recommended replacement(s)**

ATS48C25Q is replaced by:

1x



soft starter, Altistart 480, 47A, 208 to 690V AC, control supply 110 to 230V AC  
ATS480C25Y